

CC CIRCULAR DOMES

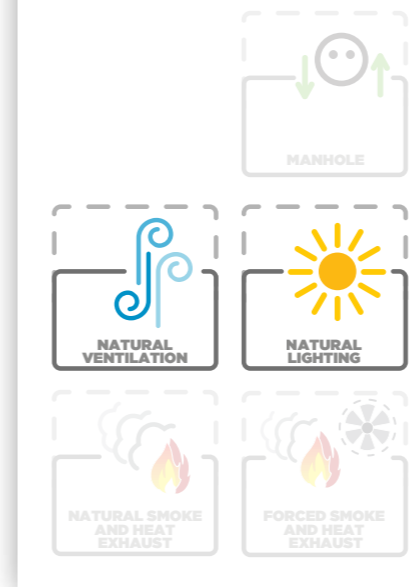
Thanks to their size that allows them to cover vast areas (from a minimum of 9.61 m² up to a maximum of 78.50 m²) and clean architectural lines these domes are used for natural lighting in atriums, public buildings, covered markets, shopping malls, greenhouses, bars, parks and gardens and exhibition centres for displaying machinery and materials.



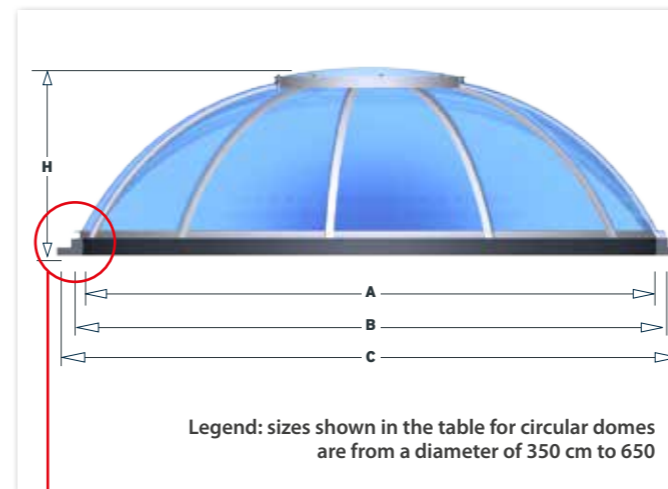
CC CIRCULAR DOMES

Circular domes made up of sections and a ridge skylight achieved by thermoforming a compact polycarbonate sheet which can be transparent or opal in colour are made in steel and consist of: galvanised iron base sectors and mounts, galvanised iron upper crown, aluminium plates.

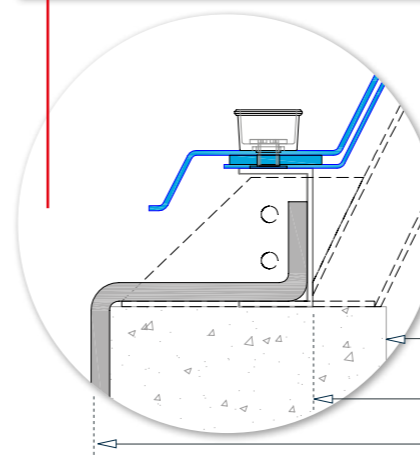
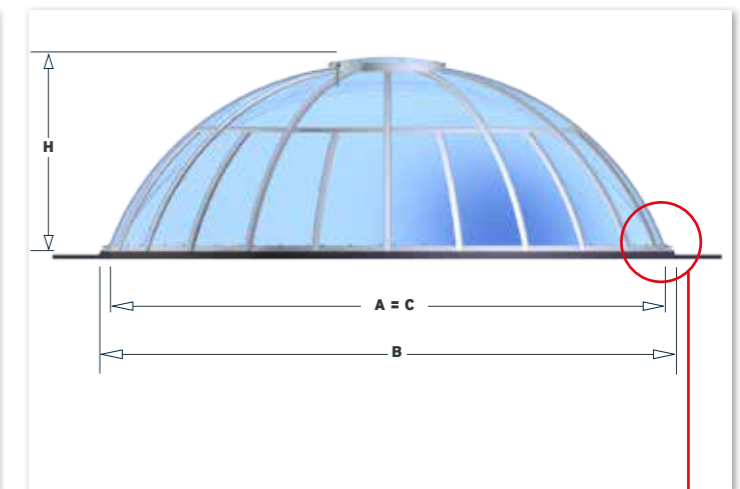
All the parts in the load bearing structure are chemically treated with paint. The ridge skylight can be accessorized with an electric opening device.



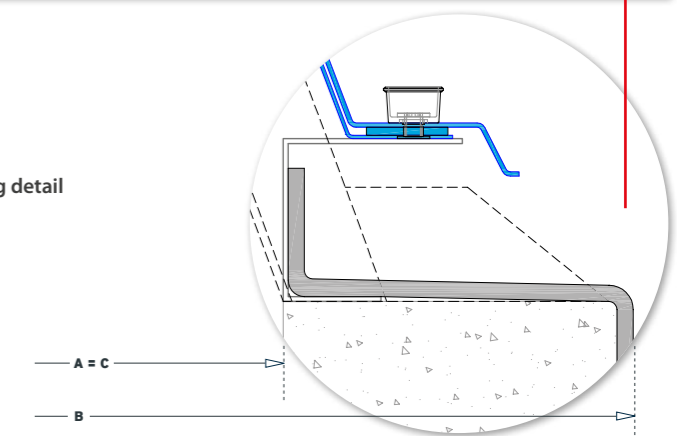
CC 50 - CC 51 - CC52 - CC 53



CC 54 - 55



support and fixing detail



For good working results it is essential:

- To make the curb impermeable on which the dome will be placed taking care to overlap the membrane horizontally.
 - Overlap the second impermeable membrane inside the C profile at the base of the dome structure.
 - Ensure the surrounding work area of the dome's support base is completely free of encumbrances which could make mounting operations difficult.
- The above listed activities are the responsibility of the customer and hence, excluded from the supply.

CC MODULAR DOME SERIES

	CC 50	CC 51	CC52	CC 53	CC 54	CC55
CLEAR SPAN (A) in cm	350	450	550	650	1000	840
OUTER SPAN (B) in cm	369	469	569	669	1040	880
HOLE CLEAR SPAN (C) in cm	341	441	541	641	1000	840
DOMES HEIGHT (H) in cm	160	194	228	198	337	282
N° ELEMENTS	6	8	9	11	24+12	21+11



CONTINUOUS DOMES

This solution is extremely practical and useful for covering the galleries in shopping malls or for walkways between adjacent buildings, for example, hospitals or exhibition areas, as well as for creating platform roofs and in all places where spaces need to be protected from atmospheric agents maintaining the continuity of the external ambient natural lighting.

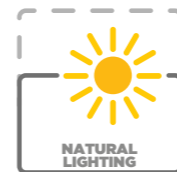
The skylights can be opened with the following devices: manual, electric and fire-fighting belonging to the Tecnocupole Pancaldi range.

Furthermore, natural ventilation and smoke and heat exhaust systems in case of fire can be added.

Continuous domes are not self-supporting hence, they need a suitable base structure which is not included in the supply



CE
305/11/CEE



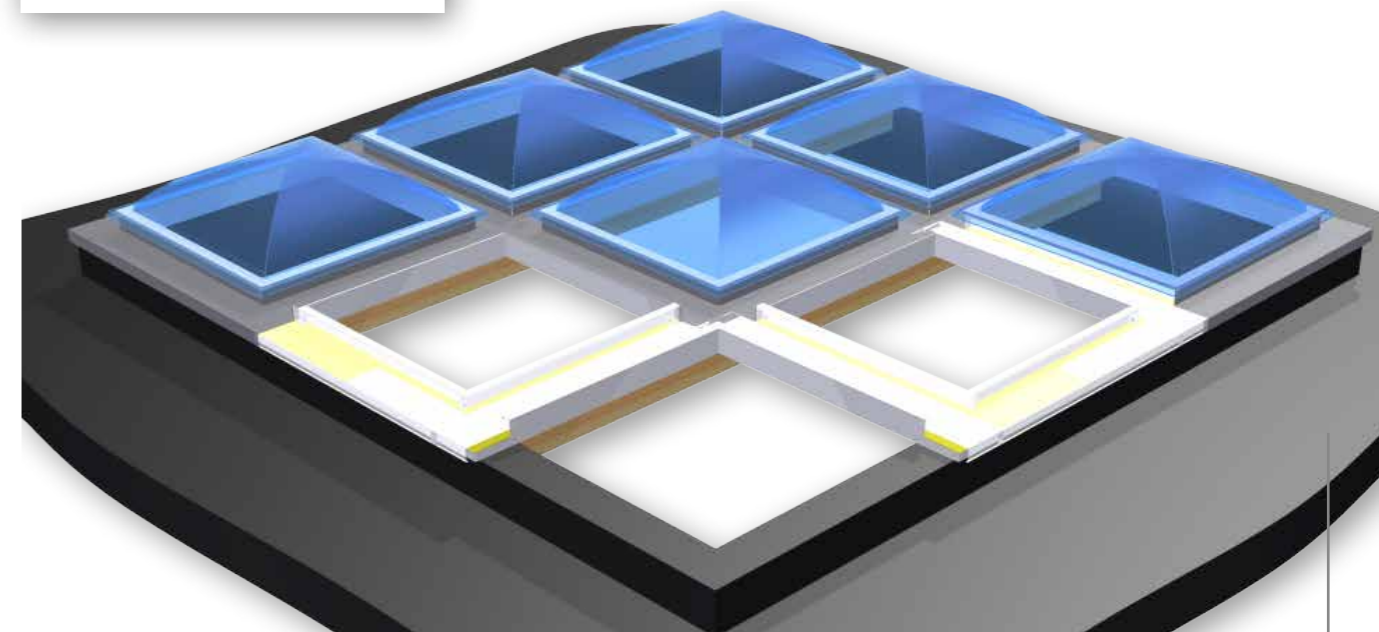
CONTINUOUS SINGLE DOMES

SIMPLE OR DOUBLE WALL CHANNELLING

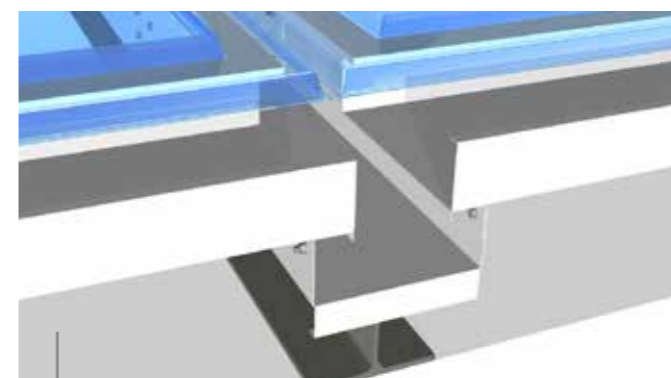
This system provides single unit skylights (see single unit skylights section on page 13) or continuous (see continuous skylights on page 16) mounted on a channel grid.

The midway and perimeter channels are made in pre-painted steel plate (white-grey) with a C configuration, variable sections and heights. In the case of double wall channelling, all the channels can be fitted with external galvanised steel cladding.

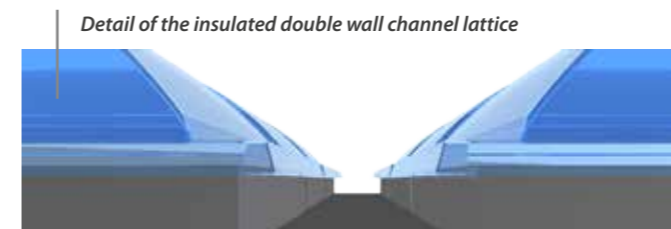
Water tightness can be achieved by means of waterproofing (by the customer) or by PVC membrane covering.



Perspective view of insulated double wall channel lattice

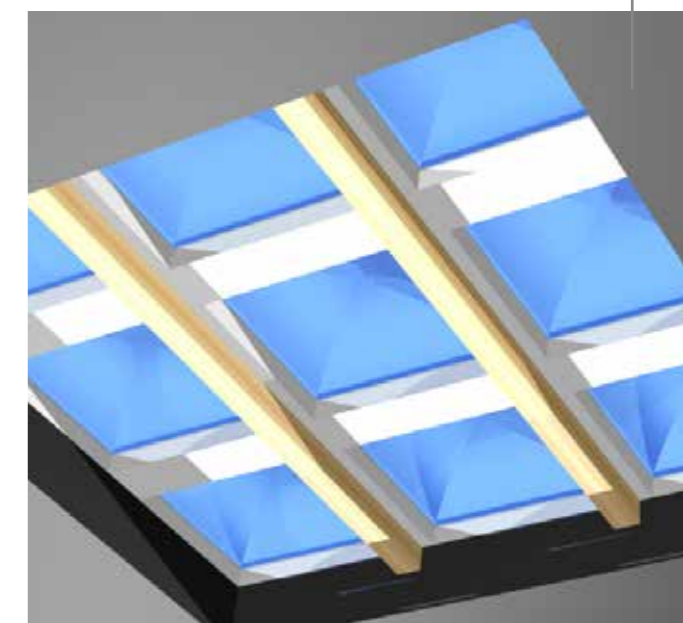


Two height, simple wall channel lattice



Detail of the insulated double wall channel lattice

Perspective view of the fixed channel lattice on a load bearing sub-structure which is not included in the supply

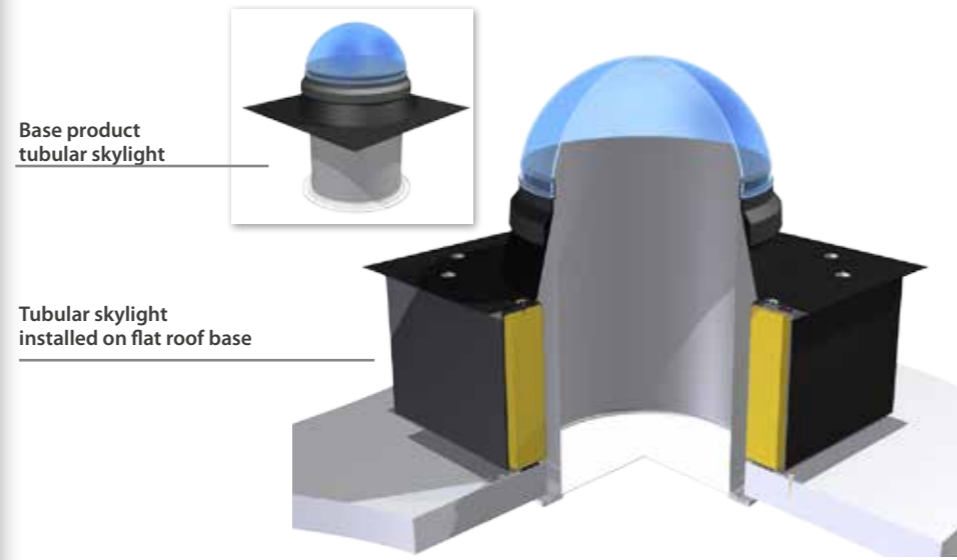


TUBULAR SKYLIGHTS

Tubular skylights provide an extraordinary response to flexibility needs in lighting rooms which in the past was managed by electric lighting.

Today, thanks to capturing and transferring light, any area be it inside or blind can be reached by sunlight and kept warm and welcoming by improving the wellbeing of those working or living there.

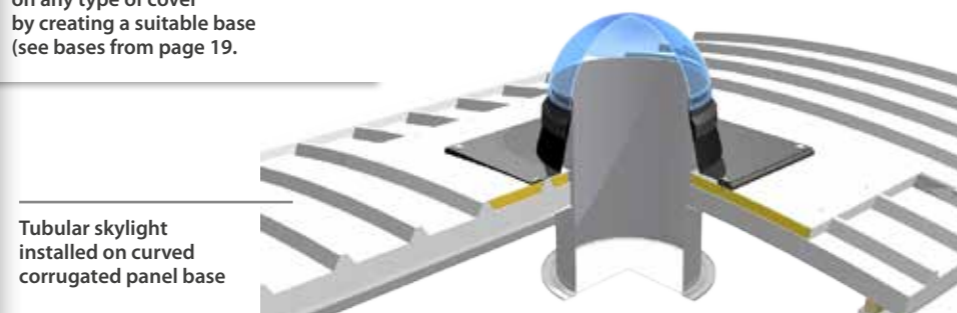
Pedestrian and vehicle accessible versions are also available.



Base product tubular skylight

Tubular skylight installed on flat roof base

A tubular skylight can be installed on any type of cover by creating a suitable base (see bases from page 19).



Tubular skylight installed on curved corrugated panel base

